

T-SERIES® WIDE RIDE™

914/915

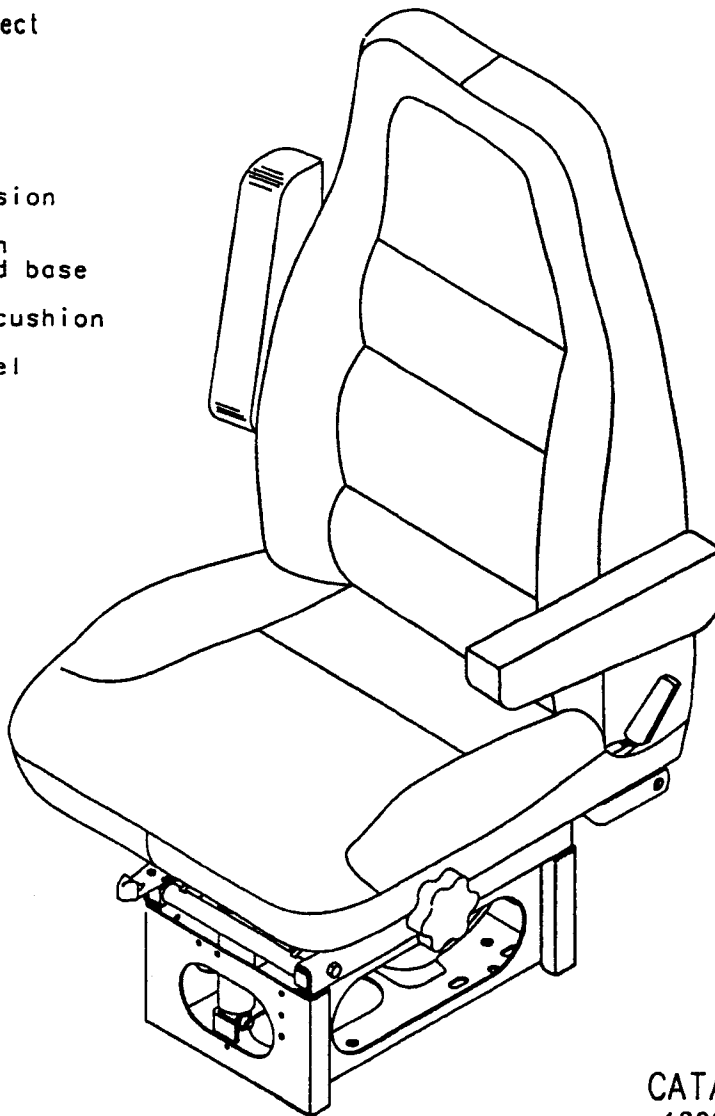
AIR SUSPENSION SEATS
(OPTIONAL) HEADREST, MOTION MASTER RIDE SYSTEM, ARMREST

OPERATION AND SERVICE PARTS MANUAL

This seat conforms to
FMVSS 207 and 302 in effect
at time of manufacture

STANDARD FEATURES:

- Dual damper suspension
- Matching Suspension cover with carpeted base
- 21-inch wide seat cushion
- 9.5 inches of travel
- Two-chamber active air lumbar system



High Back Seat Shown
with Optional Armrests

CATALOG NO.
1202005-001

©1999 BOSTROM SEATING INC.
REV C - 6/2002

OPERATION WARNING

WARNING

SERIOUS INJURY MAY OCCUR IF HEAD CLEARANCE IS NOT ADEQUATE. BEFORE DRIVING OR RIDING IN VEHICLE, ENSURE THAT THERE IS ADEQUATE HEAD CLEARANCE AT MAXIMUM UPWARD TRAVEL OF SEAT. SEE OPERATION MANUAL.

To check for adequate head clearance, sit in the seat and slowly raise it to its maximum upward position by pushing the valve knob in (see Comfort Adjustments).

Seat belts should be worn at all times when operating the vehicle.

Federal Motor Vehicle Safety Standard

This seat conforms to Federal Motor Vehicle Safety Standards (FMVSS) 207 and 302 in effect on the date of manufacture.

It is the responsibility of the installer to ensure that proper seat fastening hardware and seat belt anchorages (seat belt and tether belt system) are used in accordance with FMVSS 209 and 210.

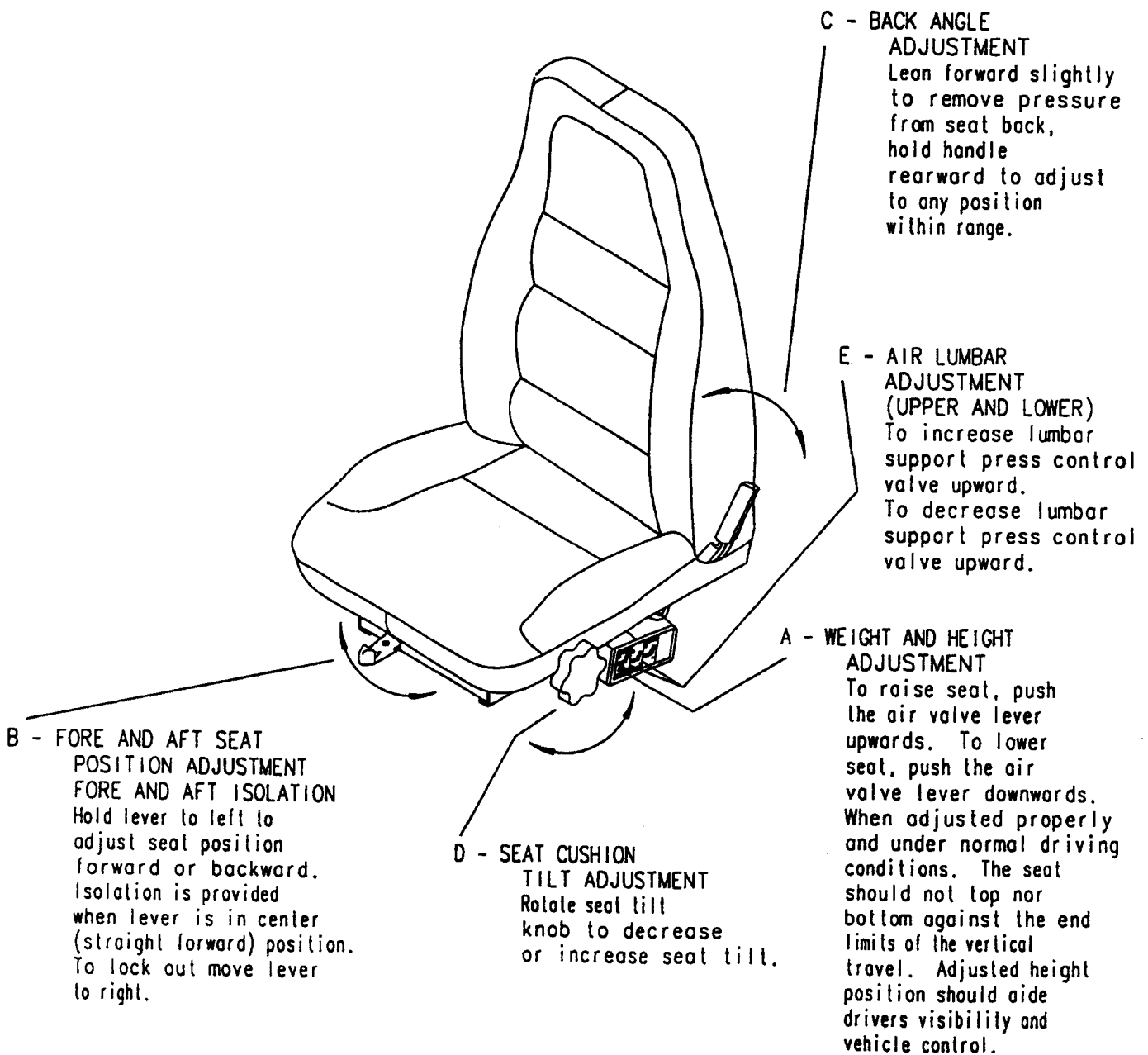
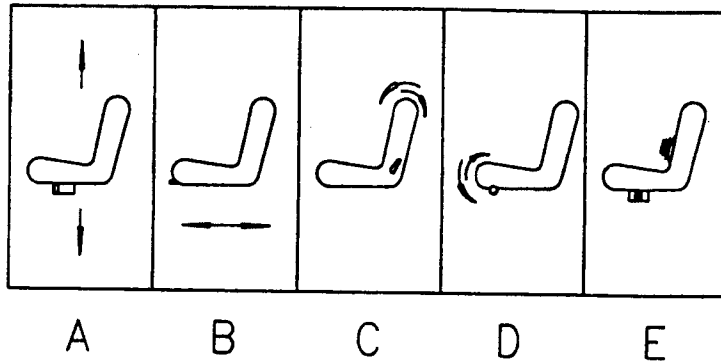
To achieve compliance with FMVSS 207, use only high strength fasteners and heavy duty washers when installing seat assembly.

Bostrom
SEATING

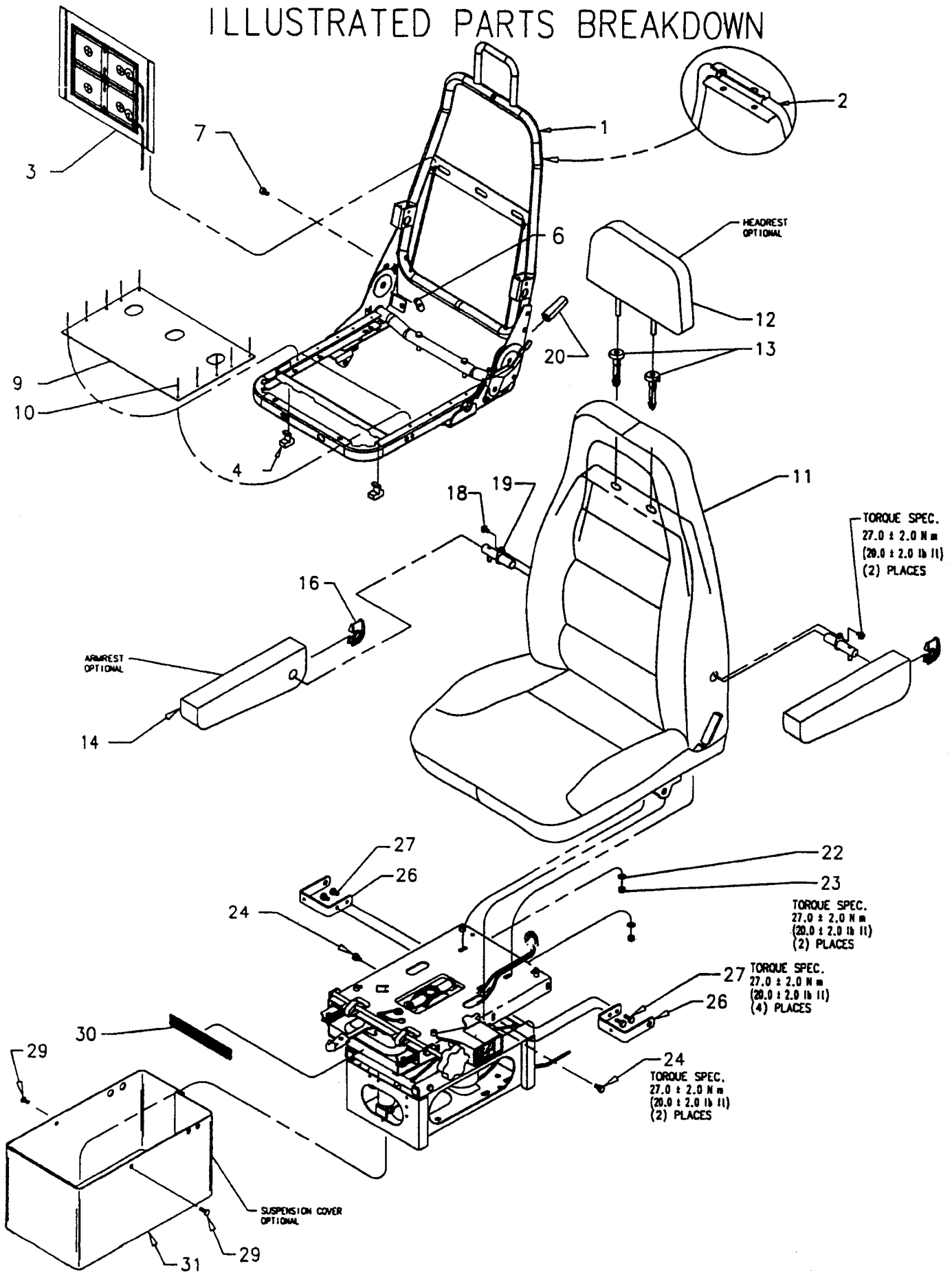
Vigo Road
P.O. Box 566
Piedmont, AL 36272
(256) 447-9051
www.bostromseating.com

COMFORT ADJUSTMENTS

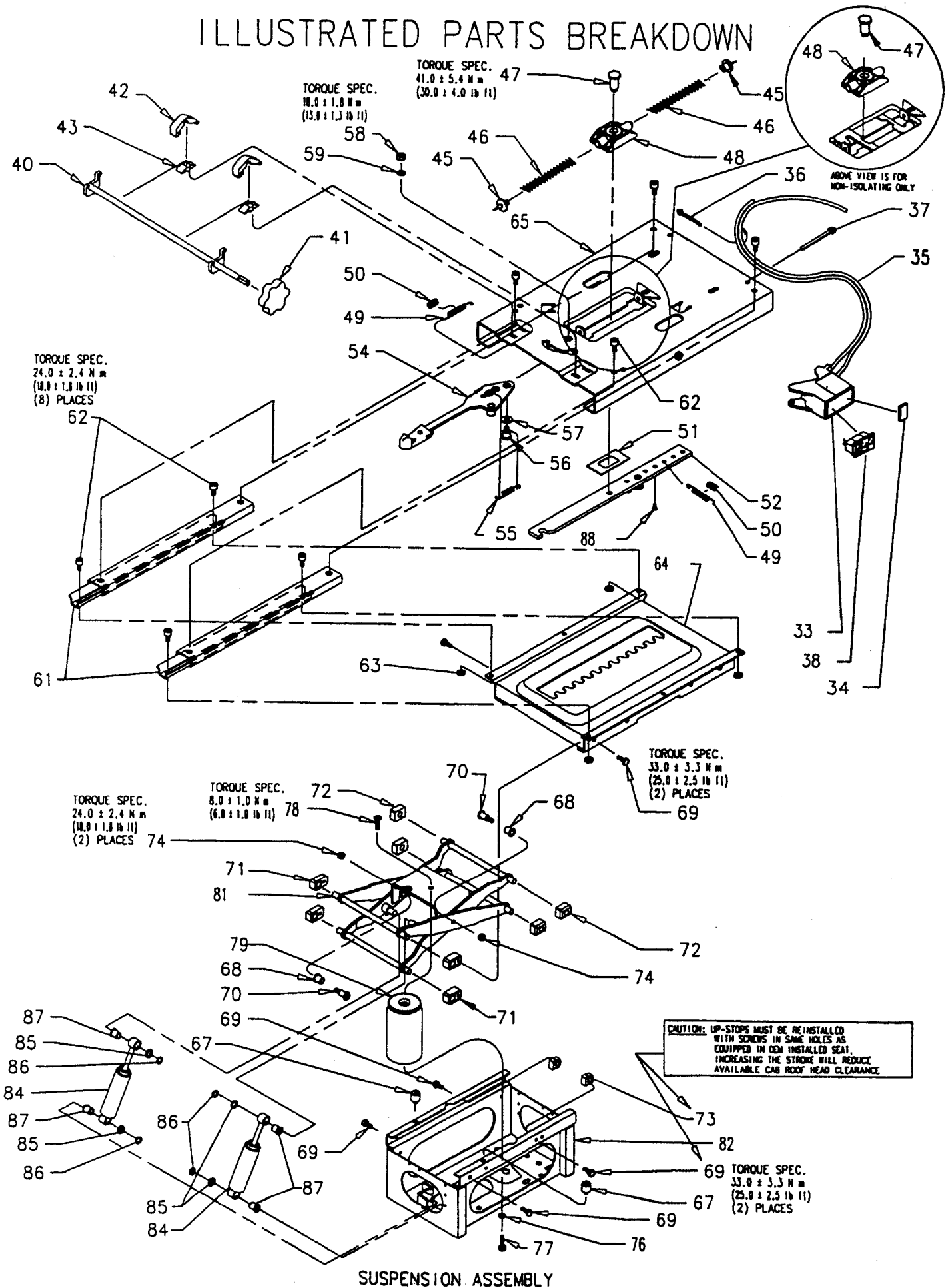
After installation the following comfort adjustments can be made to ensure the best performance.



ILLUSTRATED PARTS BREAKDOWN



ILLUSTRATED PARTS BREAKDOWN



SUSPENSION ASSEMBLY

PARTS REPLACEMENT LIST HIGH PROFILE SUSPENSION SEAT

ORDERING INSTRUCTIONS: Order by Part Number, NOT Reference Number.

HOW TO USE: Find the corresponding part that you wish to replace on the exploded view illustration and note its reference number. Refer to list below and record part number, quantity required and description. Order cover pad kits or armrests by color and material.

ORDER FROM: Your truck dealer or Bostrom Authorized Distributor for your area.

REF NO	PART NO	DESCRIPTION	QTY	REF NO	PART NO	DESCRIPTION	QTY
1	6202001-001	Frame Assy. - High Back with Air Lumbar.		27	*	Screw M8x12MM	4
2	6202009-001	Frame Assy. - with Adjustable Headrest , Air Lumbar .		28	**	Suspension Cover Kit , Includes Items 29-31	
3	6222141-001	Air Lumbar Kit.	1	29	*	Fastener	2
4	6200408-002	Slide Block Kit.	2	30	*	Velcro	1
5	6107030-001	Back Restriction Kit,Includes Items 6 and 7		31	*	Suspension Cover	1
6	*	Stop Block	1	32	6222206-001	Air Lumbar Valve L.H Actual Kit Not Shown.	
7	*	Screw 10-32	1	33	*	Air Valve Module	1
8	6222157-001	Pan Support Kit, Includes items 9 and 10		34	***	Plug	1
9	*	Pan Support	1	35	*	Air Line ¼ O.D	
10	*	Rivet 0.125	10	36	*	3" Wire Tie	2
11	**	Upper Seat Assembly or Cover Pad Kits		37	*	6" Wire Tie	1
12	**	Adjustable Headrest Assy. (Optional)		38	*	Air Valve Assembly	1
13	6201133-001	Grommet Kit	1 Set	39	6222071-001	Seat Tilt Rod Kit,Includes Items 40-43	
14	**	Armrest Assembly (Optional)		40	*	Tilt Rod	1
15	6222159-001	Armrest Insert Kit , Includes Item 16		41	6200413-002	Tilt Knob	1
16	*	Armrest Insert	1	42	*	Upper Tilt Bracket	2
17	6222073-001	Armrest Bracket Kit,Includes Items 18 and 19		43	*	Lower Tilt Bracket	2
18	*	Screw 5/16x1/2 Hex Tap	1	44	6222133-001	Isolator Spring Kit , Includes Items 45-52	
19	*	Armrest Bracket	1	45	*	Rubber Bumper	2
20	6201619-001	Recliner Handle	1	46	*	Isolator Spring	2
21	6222007-001	Fastener Mounting Kit , Includes Items 22-24		47	*	Shoulder Bolt M10	1
22	*	Flat Washer	2	48	*	Pivot Block Assy.	1
23	*	Nut M8x1.25	2	49	*	Latch Spring	2
24	*	Shoulder Bolt M8	2	50	***	No Longer Used, Split Loom	2
25	6222005-001	ICP Bracket Kit, Includes Items 26 and 27		51	*	Spacer	1
26		ICP Bracket	2	52	*	Latch Bar	1

PARTS REPLACEMENT LIST HIGH PROFILE SUSPENSION SEAT CONTINUED

REF NO	PART NO	DESCRIPTION	QTY	REF NO	PART NO	DESCRIPTION	QTY
53	6222072-001	Control Handle Assy. Kit Includes Items 54-59		71	*	Bearing Block	4
54	*	Control Handle Assy.	1	72	*	Slide Block	4
55	*	Spring Lockout	1	73	*	Stop Block Assembly	2
56	*	Shoulder Bolt	1	74	*	Nut Hex M8x1.25LK	2
57	*	Belleville Washer	1	75	6222086-001	Air Spring Kit , Includes Items 76-79	
58	*	Nut M8x1.25LK	1	76	*	Washer Flat	1
59	*	Washer	1	77	*	Screw Cap M8x30MM	1
60	6222165-001	Slide Rail Kit , Includes Items 61-63		78	*	Screw Cap M8x1.25x25	1
61	*	Slide Rail	2	79	*	Air Spring Assy.	1
62	*	Screw Socket HD M8x12MM	8	80	6222111-001	Lever Assembly Dual Damper, Includes items 68,70,71,72,74,81	
63	*	Nut Hex M8	4	81	*	Lever Assembly	1
64	6201570-001	Upper Plate Assy.	1	82	6200390-001	Riser Assembly (Dual Damper)	1
65	6202000-001	Isolator Assy. Includes Items 44-52, 54-59 , 61-63 and 64		83	6222082-001	Heavy Duty Damper Kit , Includes Items 84-87	
66	6222076-001	Suspension Hardware Kit, Includes Items 67-74		84	*	Damper	1
67	*	Rubber Bumper	2	85	*	Washer Flat	2
68	*	Bearing Multilube	2	86	*	Fastener	2
69	*	Screw Cap M8x20MM	6	87	*	Bearing Multilube	2
70	*	Shoulder Bolt	2	88	6201114-001	Restrictor Kit Screw (Optional)	1
	6222206-002	Air Lumbar Valve R.H. Not Shown		89	6222167-001	Motion Master Ride System (Optional)	

* EXCEPT AS NOTED, KITS CONTAIN ALL ITEMS DENOTED BY ASTERISK LISTED BELOW EACH KIT PART NUMBER.

** SEE YOUR DEALER OR BOSTROM AUTHORIZED DISTRIBUTOR FOR UPPER, ARMREST, SUSPENSION COVER OR COVER PAD KIT PART NUMBERS APPROPRIATE FOR YOUR SEAT.

*** ITEM NO LONGER AVAILABLE.

REMOVAL / REASSEMBLY

Suspension Rebuild Bearing/Slide Block Replacement

1. Bleed all air from supply line. Disconnect air supply line to seat. Using air valve, exhaust all air from air spring. Remove complete seat assembly from vehicle.
2. Remove seat/back assembly (11) from suspension per procedures shown.
3. If seat assembly has a suspension cover (31), remove along with fasteners (29), after removing ICP bracket (26), and cap screws (27).
4. Block suspension up with a spacer placed between the base riser (82) and the upper frame (64).
5. Disconnect air line (35) from air spring assembly (79) by pushing in collar of fitting while pulling air line out of fitting.
6. Remove top screw (78) and loosen bottom screw (77) through rear opening in base riser (82). Remove air spring assembly (79) from suspension.
7. Remove damper assemblies(84) by removing push-on fasteners (86) (not reusable) and washers (85) (see procedure for damper replacement).
8. Remove cap screws (69) from upper front bearing blocks (71) and lower rear stop block assemblies (73).
9. Remove Isolator assembly (65) by lifting and sliding it forward until bearing blocks (71) can be removed from cutouts in channels on upper plate (64). Then slide channel rearward until slide blocks (72) can be removed. **Be careful not to pinch fingers in lever assembly.**
10. Remove cap screws (69) from lower front bearing blocks (71) and slide lever assembly (81) forward until bearing blocks (71) are removed from channel on base (82). Then slide lever assembly rearward until slide blocks (72) are removed from channel. **Be careful not to pinch fingers in lever assemblies.**
11. Remove shoulder bolts (70) and nuts (74) from pivots of lever assembly (81) and inspect. Replace if worn.
12. Replace bearings (68) at pivots on lever assembly (81) by pushing the old out and pressing in new. Flange of bearings (68) should be on outside of lever assembly (81).
13. Reassemble reverse order. Torque pivot shoulder bolts (70) to **20.0 +/- 2.0 ft.-lbs.**
14. Put new bearing blocks (71) and slide blocks (72) on levers with beveled surfaces outward and slide levers with blocks into channel on base riser (82). Torque screws (69) to **25.0 +/- 2.5 ft.-lbs.**
15. After putting bearing blocks (71) and slide blocks (82) on levers, slide isolator assembly (65) over blocks. Line up screws (69) with bearing blocks (71) and torque screws (69) to **25.0 +/- 2.5 ft.-lbs.**
16. Manually move suspension up and down to make sure there are no clearance problems. **Be careful not to pinch fingers in linkage.**
17. Block up suspension and reinstall air spring assembly (79). Torque upper screw (78) to **6.0 +/- 1.0 ft.-lbs.** and lower screw (77) to **10.0 +/- 1.0 ft.-lbs.** (see procedure shown for air spring reassembly).
18. Reinstall damper assemblies (84) with washer (85) and push-on nuts (86) (see procedure for damper replacement).
19. Reinstall suspension cover (31) and ICP bracket (26) if removed (see step #3).
20. Install Seat / Back Assembly (11).

Seat/Back Assembly (11) Removal/Reassembly

1. Adjust the seat upper to most rearward position and remove two nuts (23) and flat washers (22) from underside of channel assembly (65).
2. Remove two shoulder bolts (24) from channel assembly (65).
3. Reverse procedure to reassemble.

REMOVAL / REASSEMBLY

Air Spring Assembly (79) Removal/Reassembly

Seat need not be removed from truck.

NOTE: Seat/back assembly (11) and channel assembly (65) need not be removed. Move channel assembly (65) to rearmost position to gain working room (see comfort adjustments).

1. Fill air spring assembly (79) so that seat is at maximum height (see comfort adjustments).
2. Block suspension up with a spacer placed between the base riser (82) and the upper frame (64).
3. Release air pressure from air spring so that seat is supported by spacer (see comfort adjustments).
4. Disconnect air line (35) from air spring assembly (79) by pushing in collar of fitting while pulling air line out of fitting.
5. Remove top screw (78) and loosen bottom screw (77) through rear opening in base riser (82). Remove air spring assembly (79) from suspension.
6. Assemble bottom screw (77) with washer (76) to new air spring assembly (79). Install air spring with screw into key hole opening in bottom of base riser (82). Position air spring so that fitting at bottom of air spring is toward front of seat.
7. Torque screw (77) at bottom of air spring assembly (79) to **10.0 +/- 1.0 ft.-lbs.**
8. Install screw (78) at top of air spring assembly (79) and torque to **6.0 +/- 1.0 ft.-lbs.**
9. Reconnect air line (35) to fitting in air spring assembly (79) by pushing tube into fitting.
10. Fill air spring assembly (90) (see comfort adjustment) and remove spacer block.

Damper Replacement (84)

Seat need not be removed from truck.

1. Be sure suspension is at maximum height. Add air if needed (see comfort adjustment).
2. Move channel assembly (65) to full rearward position to gain working room.
3. Use pliers or screwdriver to twist off push-on fasteners (86) (not reusable).
4. Remove damper assembly (84).
5. Install new damper with flanges of bearings to the outside of the suspension. Add thrust washers (85) and install push-ons (86) until seated. 1/2" box end wrench works well to push fasteners on

Slide Rail (61) Replacement

1. Remove seat/back assembly (11). **NOTE:** See Seat/Back Assembly Removal/Reassembly.
2. Once seat/back is removed, slide channel assembly (65) to the rear. Remove front screws (62) and nuts (63). Carefully, move channel assembly (65) to the front. Remove screws (62) and nuts (63).
3. Remove top screws (62).
4. Remove and install one slide rail (61) at a time.
5. Install new screws (62) and nuts (63).
6. Reassemble seat/back assembly (11).