

Bostrom[®]
S E A T I N G

**ROUTEMASTER
SERIES**

OPERATION AND SERVICE PARTS MANUAL

This seat conforms to
FMVSS 207, 222 and 302
in effect at the time of
manufacture.



High Back Seat Shown
With Optional Armrests

**CATALOG NO.
1107646-035**

© 1992 BOSTROM SEATING INC.
REV H - 08 / 2002

OPERATION WARNING

WARNING

SERIOUS INJURY MAY OCCUR IF HEAD CLEARANCE IS NOT ADEQUATE. BEFORE DRIVING OR RIDING IN VEHICLE, ENSURE THAT THERE IS ADEQUATE HEAD CLEARANCE AT MAXIMUM UPWARD TRAVEL OF SEAT. SEE OPERATION MANUAL.

To check for adequate head clearance, sit in the seat and slowly raise it to its maximum upward position (see Comfort Adjustments).

SEAT BELTS SHOULD BE WORN AT ALL TIMES WHEN OPERATING THE VEHICLE.

Federal Motor Vehicle Safety Standard

This seat conforms to Federal Motor Vehicle Safety Standards (FMVSS) 207, 222 and 302 in effect on the date of manufacture.

It is the responsibility of the installer to ensure that proper seat fastening hardware and seat belt anchorages (seat belt and tether belt system) are used in accordance with FMVSS 209 and 210.

To achieve compliance with FMVSS 207, use only high strength fasteners and heavy duty washers when installing seat assembly.

Bostrom
S E A T I N G

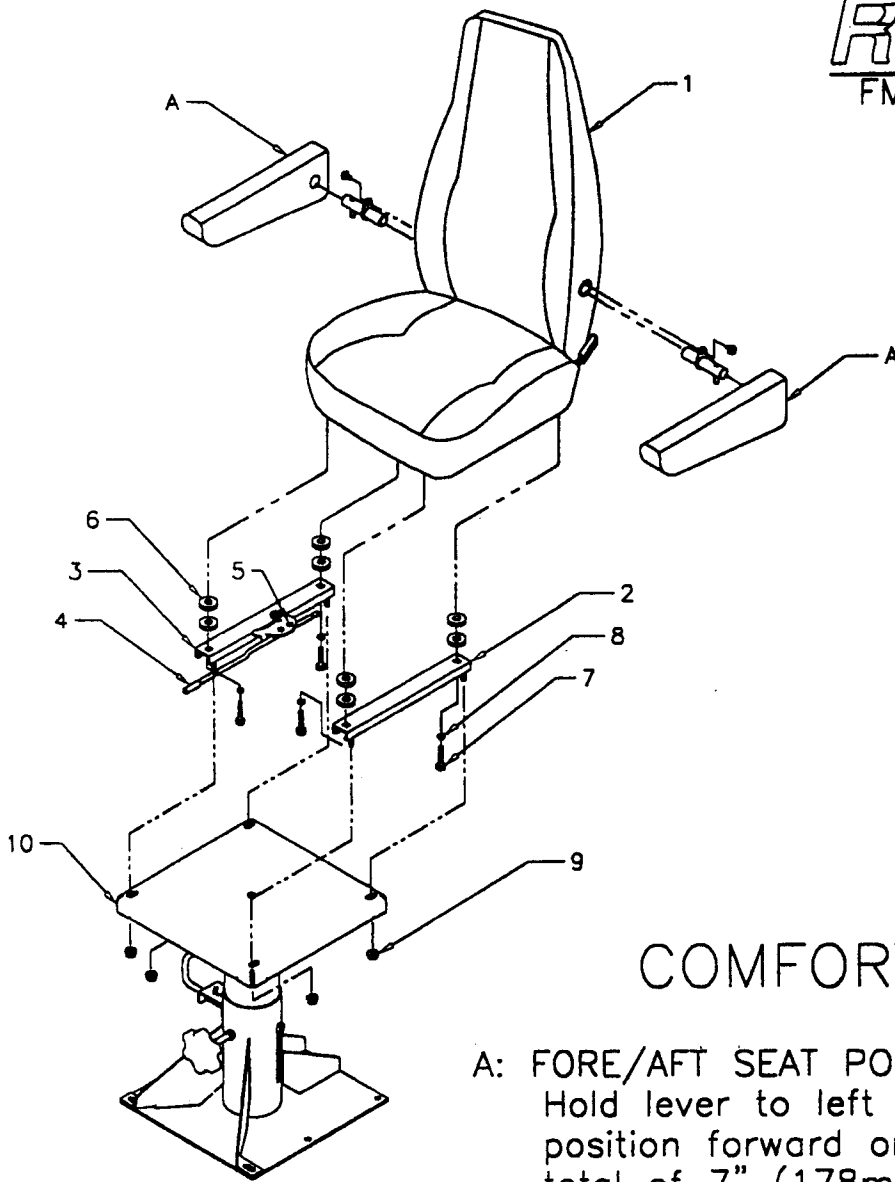
Vigo Road
P.O. Box 566
Piedmont, AL 36272
(256) 447-9051
www.bostromseating.com

RouteMaster™

FMVSS 222 Certified Seats

by

Bostrom
SEATING



COMFORT ADJUSTMENTS

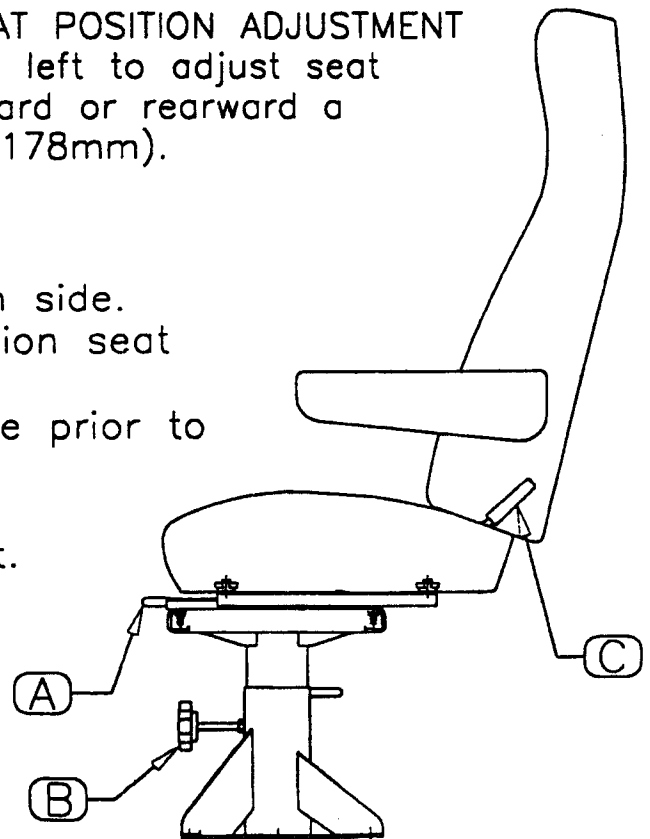
A: FORE/AFT SEAT POSITION ADJUSTMENT
Hold lever to left to adjust seat position forward or rearward a total of 7" (178mm).

B: SEAT HEIGHT ADJUSTMENT

- 1) Loosen handle in front.
- 2) Lift height adjust handle on side.
- 3) Slowly sit or stand to position seat at desired height.
- 4) Release height adjust handle prior to applying full weight.
- 5) Tighten handle in front.
- 6) Fasten and adjust seat belt.

C: BACK ANGLE ADJUSTMENT

Lean forward slightly to remove pressure from seat back.
Hold handle rearward to adjust to any position within range.



PARTS REPLACEMENT LIST

ORDERING INSTRUCTIONS : Order by Part Number , NOT Reference Number.

HOW TO USE : Find the corresponding part that you wish to order to replace on the exploded view illustration and note its reference number. Refer to list below and record the part number , quantity required and description . Order cover kits and armrest by color and Material .

Order From : Your truck dealer or Bostrom distributor for your area .

Reference Number	Part Number	Description	Quantity
A	1234336-XXX	Armrest Assy. (Optional)	1 / Ctn.
1	1220064-XXX	Upper Seat Assy.	1 / Ctn.
2	*	Slide Rail Non-Locking	1ea.
3	*	Silde Rail w/ Latch	1ea.
4	*	Seat Adj. Handle	1ea.
5	*	Rivet	2ea.
6	*	Washer .180x0.38x1.00	8ea.
7	*	Screw Cap M8x30MM	4ea.
8	*	Washer .060x0.34x0.68	4ea.
9	*	5/16" Flange Nut	4ea.
10	6222177-001	Riser Assy. Includes items 6,7,8 and 9	
	6222172-001	Slide Rail Kit , Includes items 2-9	

Note : XXX denotes the color code . (See Trim Chart Below)

***SEE YOUR TRUCK DEALER OR BOSTROM DISTRIBUTOR FOR PROPRIETARY OEM COLORS ON ARMREST , UPPER SEAT ASSEMBLIES , COVER / PAD KITS .**

AVAILABLE BOSTROM STANDARD TRIMS

COLOR	VINYL	CLOTH	KEVLAR
BLACK	-544	-550	-440
BROWN	-545	-551	-425
GRAY	-546	-552	N/A
RED	-547	-553	N/A
BLUE	-548	-554	N/A
TAN	-549	-555	N/A
GREEN	N/A	-709	-424

Seat Foam Kit : 6200009-001 1/Ctn.

High Back Foam Kit : 6200807-001 1/Ctn.

Seat Cover Kit : 6235135-XXX 1/Ctn.

High Back Cover Kit : 6235252-XXX 1/Ctn.

Frame Assy. : 6200845-001 1/Ctn.